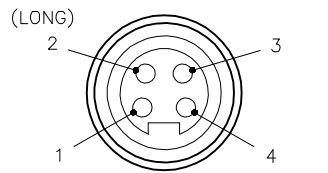

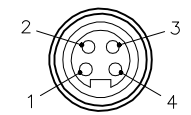

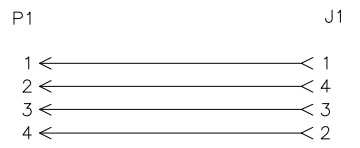
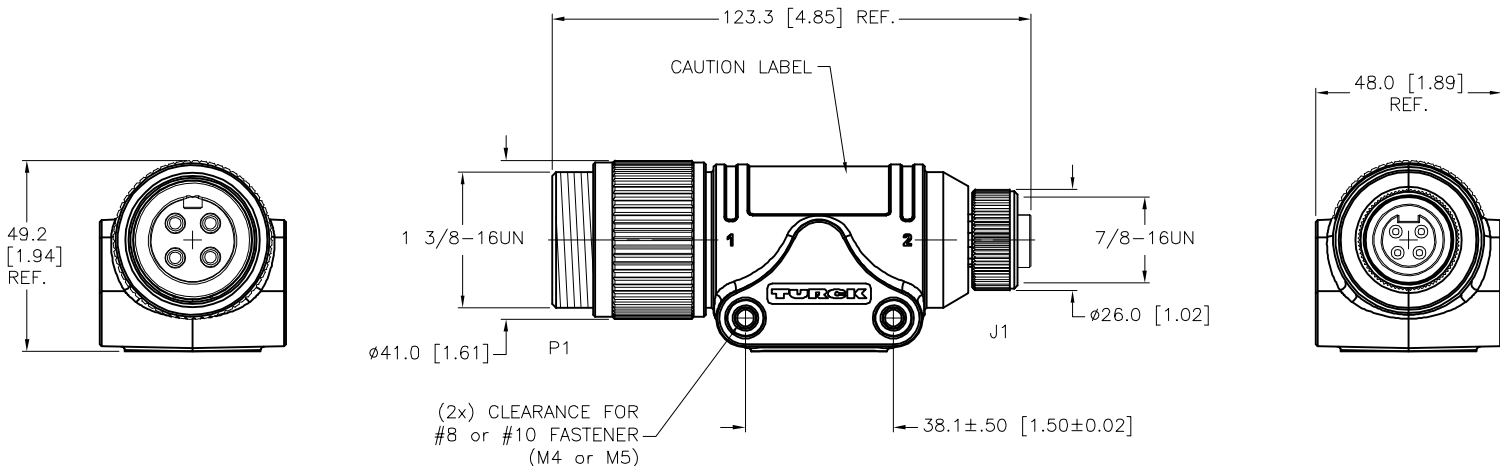
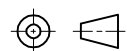


MALE END VIEW (P1)	FEMALE END VIEW (J1)	WIRING DIAGRAM	SPECIFICATIONS																			
 	 		<table border="1"> <tr><td>CONTACT CARRIER MATERIAL</td><td>PVC</td></tr> <tr><td>MOLDED HEAD MATERIAL/COLOR</td><td>PVC/BLACK</td></tr> <tr><td>CONTACT MATERIAL/PLATING</td><td>BRASS or COPPER/GOLD</td></tr> <tr><td>COUPLING NUT MATERIAL/PLATING</td><td>ALUMINUM/CLEAR-ANODIZED (P1), BRASS/NICKEL (J1)</td></tr> <tr><td>RATED CURRENT [A]</td><td>18.0 A</td></tr> <tr><td>RATED VOLTAGE [V]</td><td>600 V</td></tr> <tr><td>TEMPERATURE RANGE</td><td>-40°C to +90°C (-40°F to +194°F)</td></tr> <tr><td>PROTECTION CLASS</td><td>MEETS NEMA 1,3,4,6P AND IEC IP67</td></tr> <tr><td>APPROVALS AND CERTIFICATIONS</td><td>UL 2237, UL 2238, CE</td></tr> </table>	CONTACT CARRIER MATERIAL	PVC	MOLDED HEAD MATERIAL/COLOR	PVC/BLACK	CONTACT MATERIAL/PLATING	BRASS or COPPER/GOLD	COUPLING NUT MATERIAL/PLATING	ALUMINUM/CLEAR-ANODIZED (P1), BRASS/NICKEL (J1)	RATED CURRENT [A]	18.0 A	RATED VOLTAGE [V]	600 V	TEMPERATURE RANGE	-40°C to +90°C (-40°F to +194°F)	PROTECTION CLASS	MEETS NEMA 1,3,4,6P AND IEC IP67	APPROVALS AND CERTIFICATIONS	UL 2237, UL 2238, CE	
CONTACT CARRIER MATERIAL	PVC																					
MOLDED HEAD MATERIAL/COLOR	PVC/BLACK																					
CONTACT MATERIAL/PLATING	BRASS or COPPER/GOLD																					
COUPLING NUT MATERIAL/PLATING	ALUMINUM/CLEAR-ANODIZED (P1), BRASS/NICKEL (J1)																					
RATED CURRENT [A]	18.0 A																					
RATED VOLTAGE [V]	600 V																					
TEMPERATURE RANGE	-40°C to +90°C (-40°F to +194°F)																					
PROTECTION CLASS	MEETS NEMA 1,3,4,6P AND IEC IP67																					
APPROVALS AND CERTIFICATIONS	UL 2237, UL 2238, CE																					



**SOURCE DRAWING - FOR REFERENCE ONLY**

**CAUTION:**  
RISK OF ELECTRICAL SHOCK  
DO NOT DISCONNECT UNDER LOAD

RELATED DOCUMENTS 1. 2. 3. 4.	3RD ANGLE PROJECTION 	THIS DRAWING IS CONFIDENTIAL AND THE PROPERTY OF TURCK INC. USE OF THIS DOCUMENT WITHOUT WRITTEN PERMISSION IS PROHIBITED.	3000 CAMPUS DRIVE MINNEAPOLIS, MN 55441 1-800-544-7769 (763) 553-7300 (763) 553-0708 fax www.turck.us	
MATERIAL  SEE SPECIFICATIONS	ALL DIMENSIONS DISPLAYED ON THIS DRAWING ARE FOR REFERENCE ONLY	DRFT RDS DATE 11/09/09 APVD SCALE 1=2.0	DESCRIPTION GSDA RKM 44-0	
FINISH  SEE SPECIFICATIONS	CONTACT TURCK FOR MORE INFORMATION	UNIT OF MEASUREMENT <b>MILLIMETER [ INCH ]</b> DO NOT SCALE THIS DRAWING		IDENTIFICATION NO. U2-15642 REV F FILE: U2-15642 SHEET 1 OF 1

F	UPDATE RATED CURRENT	RDS	04/24/19	69358
REV	DESCRIPTION	BY	DATE	ECO NO.